



NXG-HH Series

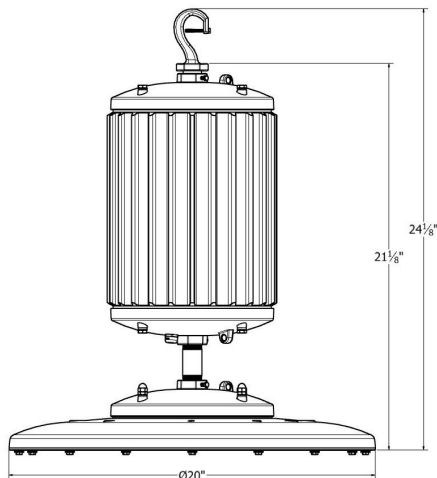


Date	Catalog #
Type	Project
Prepared by	Comments

Description

The **NXGEN-HH Series** is the new **High Heat (HH)** energy efficient, sustainable LED alternative to 250-400-watt metal halide fixtures. The unique design separates the LED Light Engine into two segments, partitioning and disengaging the two heat generators providing true 55 C ambient operating temperature. The all aluminum top, middle extrusion and lower, make this unit, one super heat sink for your higher heat applications. Unlike other many sealed fixtures, this **HH series** model also has conformal coated boards and a potted driver inside an **IP65** envelope. The easy-to-maintain design allows quick access to drivers and LED boards, which extends operational life and enhances the total cost of ownership. The **HH series** is standard with a polycarbonate lens, where acrylic can deform in high heat applications. Powder coated Bronze and the unique design differentiates it from it's IP69K brother, the NXG Series, that has been in service for years. The top cap is designed to allow for the attachment of an optional stainless steel **Safety Cable**. The **NXGEN-HH Series** is the optimal general lighting solution for paper, pulp, beverage and food processing.

Dimensions



- NOTES:**
1. Dimensions shown are in inches.
 2. All dimensions are approximate.
 3. LEI reserves the right to change the design at any time without notice.

Warranty

- 1-year limited warranty. (See LEI's LED Warranty for complete details.)

Features and Specifications

ENCLOSURE

Highly engineered, three-piece aluminum housing was designed for superior thermal management. Exterior is protected by an industry proven, bronze powder coat. The smooth, water-shed design allows for superior clean up during sanitation. The **NXGEN Series** has **NO EXPOSED HEAT SINKS, FINS OR OPENINGS THAT CAN HARBOR OR COLLECT CONTAMINANTS AND BACTERIA**. Heavy duty, custom fabricated, proprietary gaskets provide an enhanced seal maintaining IP65 rating. All external hardware is stainless steel.

LENS

Clear impact resistant polycarbonate lens provides higher heat structure. Lens is sealed in place by a proprietary stainless steel ring and stainless steel captive screws.

ELECTRICAL

Universal voltage (120V-277V) drivers standard. Optional 0-10V dimming, 480V, configurations are available. Proprietary, custom designed metal clad boards populated with Nichia, greater than 80 CRI LEDs in 4000K or 5000K CCT. Standard fixture supplied with 3-wire, yellow, six-foot, # 16 AWG, STOW cable secured by a proprietary, stainless steel, potted strain relief. An optional quick disconnect is also available.

MOUNTING

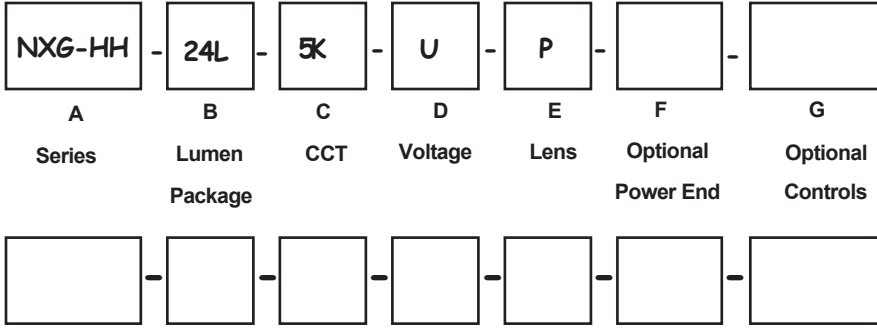
Threaded, 3/4" hub allows for pendant mounting or use of LEI's proprietary, forged stainless steel mounting hook. Mounting hook comes standard with all units. Optional stainless steel safety cable available.

CERTIFICATIONS- Pending

- ETL listed UL 1598 for Wet Location
- ETL listed CSA Std. C22.2 No. 250.0
- IP65 rated

Ordering Information

Example Catalog Number – NXG-HH-24L-5K-U-P



Catalog Logic:

A. Series

NXG-HH= NXGEN High Heat

B. Lumen Package

16L = 16,000
20L = 20,000
24L = 24,000

C. CCT

4K = 4000K, 80 CRI
5K = 5000K, 80 CRI

D. Voltage

U = (120V-277V)
48 = 480V

E. Lens

P = Polycarbonate clear lens.

F. Optional Power End

All fixtures come standard with 6' Yellow Lead, 3-wire, 16 AWG. Or select from the options below.

R3 = Mini-Receptacle, 3-wire, Male
R4 = Mini-Receptacle, 4-wire, Male
4P6 = 6' Yellow Lead, 4-wire, 16 AWG

G. Optional Controls

MOS = Microwave Occupancy Sensor
DMS = Dimming Occupancy Sensor

Performance Data*

Lumen Package	Lens	CCT	Actual Lumens	System Watts	Lumens per Watt	CRI
16L	Poly	4000K	15,930	103	154	83
16L	Poly	5000K	<i>16,089</i>	<i>103</i>	<i>156</i>	<i>83</i>
20L	Poly	4000K	20,366	136	150	83
20L	Poly	5000K	<i>20,041</i>	<i>133</i>	<i>151</i>	<i>83</i>
24L	Poly	4000K	24,440	154	158	83
24L	Poly	5000K	24,050	154	156	84

* all data at 25C

PERFORMANCE DATA ABOVE: ITALICIZED VALUES ARE CALCULATED

OPERATING RANGE:

(120V-277V) = -20°C to 55°C
480V = -20°C to 55°C

Consult factory for all available options & configurations.

Replacement Parts & Accessories

SF3-6	Mini-Connector, 3-wire, Female – 6'
SF4-6	Mini-Connector, 4-wire, Female – 6'
SC5	Stainless Steel Safety Cable – 5'
SC10	Stainless Steel Safety Cable – 10'
NXG-HK	Stainless Steel Mounting Hook
NXG-PLKIT	Poly Lens Kit
NXG-PLFA	Poly Lens Frame Assembly Housing
LB-HGAS	Gasket
LB-LGAS	Lens Gasket

Mounting Options



NXG-HK (Stainless Steel Hook Supplied Standard)



Optional Safety Cable
(Shown with NXG-HK mounting hook)



(Shown with 3 wire mini-receptacle)

