



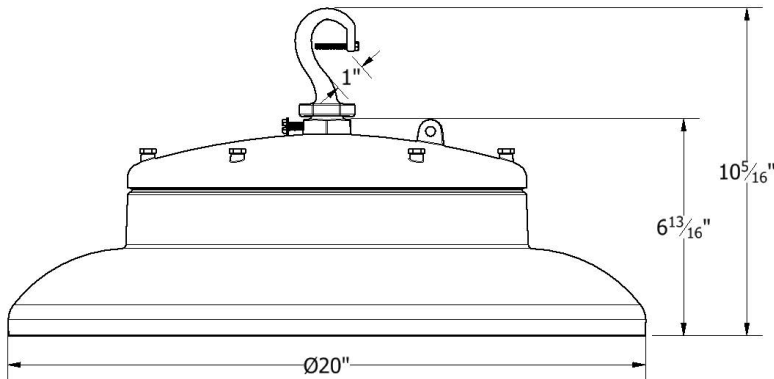
# OPTIMUM Series



## Description

The **OPTIMUM Series** is the new, compact, lightweight, wet location, energy efficient LED alternative to 250-400 watt metal halide fixtures. It is maintenance-friendly and fully accessible with only 14 captive SS fasteners. The heavy duty, IP69K rated, smooth water-shed design allows for superior clean-up during sanitation. To address worker safety, the **OPTIMUM Series** includes a flat, low-glare lens to provide a less stressful work environment and an attachment loop for use with LEI's optional SS safety cable. The **OPTIMUM Series** also offers an optional **ETL LISTED, FACTORY INSTALLED, INTERNAL BATTERY BACK-UP** on most models. The **OPTIMUM Series** is your general lighting solution for the food and beverage industry, or any harsh or hose-down environment.

## Dimensions



### NOTES:

1. Dimensions shown are in inches.
2. All dimensions are approximate.
3. LEI reserves the right to change the design at any time without notice.

Date	Catalog #
Type	Project
Prepared by	Comments

## Features and Specifications

### ENCLOSURE

Heavy duty, two-piece, aluminum housing is designed for superior thermal management. Exterior is protected by an industry proven, white, FDA approved coating. The smooth, water-shed design allows for superior clean-up during sanitation. The **OPTIMUM Series** has **NO EXPOSED HEAT SINKS, FINS OR OPENINGS THAT CAN HARBOR OR COLLECT CONTAMINANTS AND BACTERIA**. Robust, custom fabricated, proprietary gaskets provide an enhanced seal which facilitates the IP69K rating. All external hardware is stainless steel.

### LENS

Low-glare, flat, chemical-resistant, acrylic lens provides uniform lighting distribution and reduces glare. Lens is sealed in place by a proprietary stainless steel ring and stainless steel captive bolts. Optional domed lens is available.

### ELECTRICAL

Universal voltage (120V-277V) drivers standard. Optional 0-10V dimming, 480V, and motion sensor configurations are available. **NOTE: Fixtures ordered with optional battery back-up will have a RED top cap for easy identification.** Custom metal clad boards populated with Nichia, greater than 80 CRI LED chips available in either 4000K or 5000K CCT. Standard fixture supplied with 3-wire, yellow, six-foot, # 16 AWG, STOOOW cable secured by a proprietary, stainless steel, potted strain relief. An optional quick disconnect is also available.

### MOUNTING

Threaded, 3/4" NPT top hub allows for pendant mounting or use LEI's standard supplied forged stainless steel hook. Optional stainless steel safety cable is available.

### CERTIFICATIONS

- ETL listed UL 1598 for Wet Location
- ETL listed UL 1598 for Battery Back-Up\*  
**\*20K lumen package and below**
- ETL listed CSA Std. C22.2 No. 250.0
- ETL listed ANSI/NSF 2 for Splash Zones
- IP69K rated
- DLC Premium
- DLC Standard

## Warranty

3-year and 5-year limited warranties available.  
(See LEI's LED Warranty for complete details)

## Ordering Information

### Example Catalog Number – OPT5-24L-5K-U-F

<b>OPT5</b>	-	<b>24L</b>	-	<b>5K</b>	-	<b>U</b>	-	<b>F</b>	-		-	
A		B		C		D		E		F		G
Series		Lumen Package		CCT		Voltage		Lens		Optional Power End		Optional Controls

#### Catalog Logic:

##### A. Series

OPT3 = Optimum Series (Non-DLC)  
OPT5 = Optimum Series (DLC Listed)

##### B. Lumen Package

12L = 12,000  
16L = 16,000  
20L = 20,000  
24L = 24,000

##### C. CCT

4K = 4000K, 80 CRI  
5K = 5000K, 80 CRI

##### D. Voltage

U = (120V-277V)  
48 = 480V  
UNB = (120V-277V) Non-Switching Battery Back-Up\*  
USB = (120V-277V) Switching Battery Back-Up\*  
**\*20,000 lumen package and below, only**

##### E. Lens

F = Low-Glare Acrylic – Flat  
FD = Low-Glare Acrylic – Domed

##### F. Optional Power End

All fixtures come standard with 6' Yellow Lead, 3-wire, 16 AWG. Or select from the options below.

R3 = Mini-Receptacle, 3-wire, Male  
R4 = Mini-Receptacle, 4-wire, Male  
4P6 = 6' Yellow Lead, 4-wire, 16 AWG

##### G. Optional Controls

MOS = Microwave Occupancy Sensor  
DMS = Dimming Occupancy Sensor

### Performance Data

Lumen Package	Lens (Acrylic)	CCT	Actual Lumens	System Watts	Lumens per Watt	CRI
24L	Low -Glare Dome	4000K	24,090	173	139	82
		5000K	23,920	173	138	81
20L		4000K	<i>19,060</i>	<i>142</i>	<i>134</i>	<i>81</i>
		5000K	20,140	142	141	81
16L		4000K	<i>15,820</i>	<i>122</i>	<i>129</i>	<i>83</i>
		5000K	16,930	122	137	83
12L		4000K	<i>12,500</i>	<i>92</i>	<i>135</i>	<i>83</i>
		5000K	13,340	88	150	83
24L	Low -Glare Flat	4000K	22,950	176	130	80
		5000K	22,880	177	128	80
20L		4000K	19,060	141	134	81
		5000K	<i>19,060</i>	<i>141</i>	<i>134</i>	<i>81</i>
16L		4000K	15,820	122	129	83
		5000K	<i>15,820</i>	<i>122</i>	<i>129</i>	<i>83</i>
12L		4000K	12,500	92	135	83
		5000K	<i>12,500</i>	<i>92</i>	<i>135</i>	<i>83</i>

Numbers in italics are calculated using LED manufacturers' data.

#### OPERATING RANGE:

(120V-277V) = -20°C to 40°C

(480V) = -20°C to 40°C

Battery Back-Up = 0°C to 25°C

Consult factory for all available options & configurations.

Not all configurations of this fixture may be DLC qualified. Please consult the DLC Qualified Products list @ [www.designlights.org](http://www.designlights.org) to see if the version in which you are interested, is listed.

LEI • (281) 992-8308 • FAX: (281) 996-0488 • [sales@lighting-etc.com](mailto:sales@lighting-etc.com) • [www.lighting-etc.com](http://www.lighting-etc.com) • PO Box 3403 • Pearland, TX 77588

## Replacement Parts & Accessories

SF3-6	Mini-Connector, 3 wire, Female – 6'
SF4-6	Mini-Connector, 4 wire, Female – 6'
OPT-HKS	Stainless Steel Mounting Hook
SC5	Stainless Steel Safety Cable – 5' Stainless
SC10	Steel Safety Cable – 10'
OPT-FLKIT	Lens Replacement Kit - Flat, Acrylic
OPT-FLFA	Lens Frame Assembly with Lens- Flat
OPT-HGAS	Housing Gasket
OPT-LGAS	Lens Gasket

## Mounting Options



### OPT-HKS

(Stainless Steel Standard)



### Optional Safety Cable

(Shown with OPT-HKS mounting hook)

