



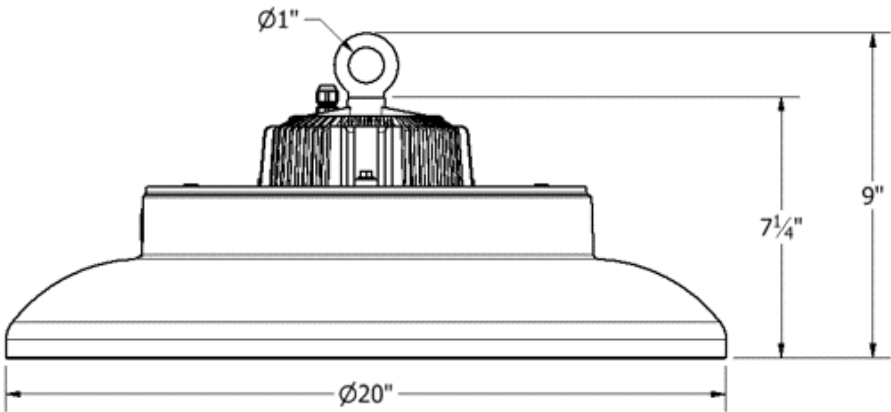
INX Series



Description

The **INX Series** is the newest fixture in the LEI industrial line, providing a sensible, more reliable LED alternative to 250-400 watt metal halide fixtures. It features a compact and lightweight design weighing in at only 21 pounds. The all-aluminum main body has a sloping design to help prevent accumulation of dust and debris, while providing excellent thermal transfer. The **INX Series** is the solution for your general lighting applications, whether manufacturing, warehouse or general industrial.

Dimensions



- NOTES:**
1. Dimensions shown are in inches.
 2. All dimensions are approximate.
 3. LEI reserves the right to change the design at any time without notice.

Date	Catalog #
Type	Project
Prepared by	Comments

Features and Specifications

ENCLOSURE
Heavy duty aluminum housing is designed for superior thermal management. Exterior is protected by an industry proven, Battleship Grey coating.

LENS
Clear, Acrylic Domed Lens Standard

ELECTRICAL
Universal voltage (120V-277V) drivers standard. Optional 0-10V dimming, DALI compatible, 480V, and motion sensor configurations are available. Custom metal clad boards populated with Samsung 5000K CCT LED chips. Available in 70 or 80 CRI. Fixtures come standard with 11" wire from driver.

MOUNTING
Center Mounting Loop is provided for mounting. Optional attachment Eyeloop is available for use with stainless steel safety cable.

- CERTIFICATIONS**
- ETL listed UL 1598
 - DLC Premium
 - DLC Standard

Warranty

- 3-year and 5-year limited warranties available. (See LEI's LED Warranty for complete details.)

Ordering Information

Example Catalog Number – INX3-24L-5K7-U-CD

INX3	-	24L	-	5K7	-	U	-	CD	-		-	
A		B		C		D		E		F		G
Series		Lumen Package		CCT and CRI		Voltage		Lens		Optional Power End		Optional Controls

Catalog Logic:

A. Series

INX3 = Industrial Series (Non-DLC)
INX5 = Industrial Series (DLC Listed)

B. Lumen Package

12L = 12,000
16L = 16,000
20L = 20,000
24L = 24,000

C. CCT and CRI

5K7 = 5000K, 70 CRI
5K8 = 5000K, 80 CRI

D. Voltage

U = (120V-277V)
48 = 480V

E. Lens

CD = Clear Acrylic – Domed
FD = Low Glare Acrylic – Domed

F. Optional Power End

All fixtures come standard with 11" wire from driver or select from the options below.

R3 = Mini-Receptacle, 3-wire, Male
P6 = 6' Yellow Lead, 3-wire, 16 AWG
R4 = Mini-Receptacle, 4-wire, Male
4P6 = 6' Yellow Lead, 4-wire, 16 AWG

G. Optional Controls & Options

MOS = Microwave Occupancy Sensor
DMS = Dimming Occupancy Sensor
SL = Safety cable Eyeloop (installed)

Replacement Parts & Accessories

SF3-6	Mini-Connector, 3 wire, Female – 6'
SF4-6	Mini-Connector, 4 wire, Female – 6'
SC5	Stainless Steel Safety Cable – 5'
SC10	Stainless Steel Safety Cable – 10'
INX-LKIT	Lens Assembly – Flat, Clear, Polycarbonate
INX-LFA	Lens Frame Assembly – Flat, Clear, Polycarbonate

Mounting Options



Optional Safety Eyeloop (SL)
(Shown with attachment loop)

Performance Data

Lumen Package	Lens (Acrylic)	CCT	Actual Lumens	System Watts	Lumens per Watt	CRI
24L	Clear - Domed	5000K	23,500	166	142	74
			23,310	163	143	85
20L			20,210	137	147	77
			20,100	135	149	84
16L			16,530	116	141	76
			16,380	115	141	82
12L			12,400	83	148	76
			12,860	82	156	82

Numbers in italics are calculated using LED manufacturers' data.

OPERATING RANGE:
(120-277) = UP TO 50C
(480V) = UP TO 45C

Consult factory for all available options & configurations.

Not all configurations of this fixture may be DLC qualified. Please consult the DLC Qualified Products list @ www.designlights.org to see if the version in which you are interested is listed.

