



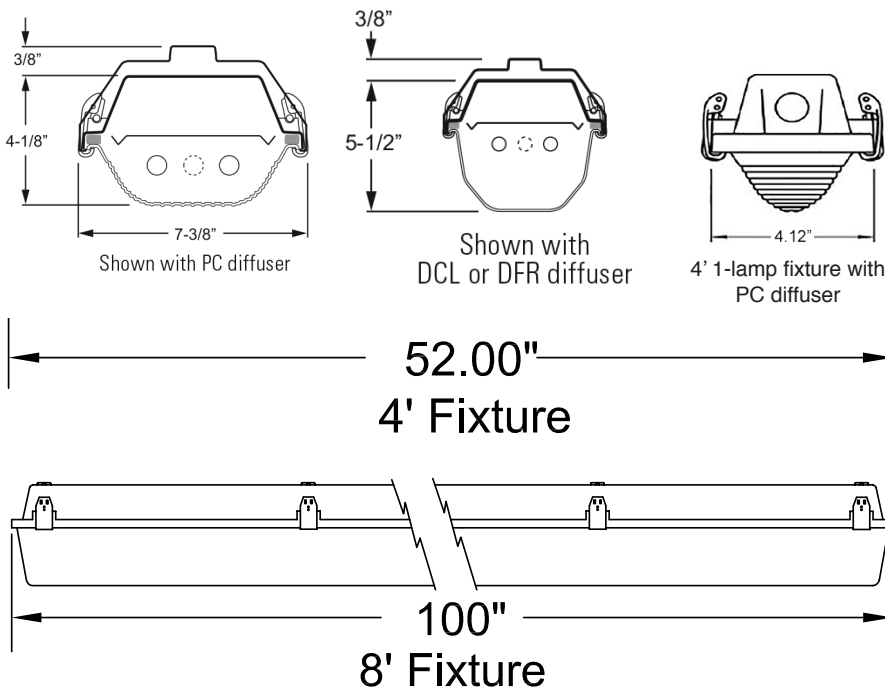
VG Series



Description

The **VG Series** is a non-metallic, fluorescent luminaire for use in harsh and wet environments where constant humidity or moisture is present. Offered in T5HO configurations, the **VG Series** is an energy efficient alternative to older T8 and T12 fluorescent products. The **VG Series** is available in 2', 4' and 8' lengths with options for 1, 2, 3, 4, and 6 lamps. Food processors, breweries, dairies, parking garages and car washes are just a few areas that can benefit from the **VG Series**.

Dimensions



Date	Catalog #
Type	Project
Prepared by	Comments

Features and Specifications

ENCLOSURE

Fiberglass reinforced polyester housing is UL 5VA flammability rated. Smooth water shed design allows for easy clean up during high pressure hose down. Poured-in-place continuous closed cell gasket provides a seamless seal for lens which resists dust and moisture.

LENS

Precision molded, high impact clear acrylic lens is held in place with easy to install injected molded polycarbonate latches or optional stainless steel captive latches. Ribbed lens also available.

GEAR TRAY

The highly reflective and rust resistant painted 20 gauge metal gear tray is held in place by internal stainless steel clips and retaining straps.

ELECTRICAL

Thermally protected Class P electronic ballast and lampholders rated for wattage and voltage standard. Fixture has entry holes in each end suitable for 1/2" NTP fittings.

MOUNTING

Stainless steel mounting brackets allow for "drill free" mounting. Hanger bushing also available.

CERTIFICATIONS

- ETL Listed UL 1598 for Wet Location
- ETL Listed CSA Std C22.2 No.250.0
- NSF Certified
- IP65, IP66, IP67 Certified
- NEMA 4X Certified
- High Pressure Tested at 1500 PSI

Ordering Information

Example Catalog Number – VG8-654-U

VG	8-654	U						
A	B	C	D	E	F	G	H	I
Series	Length, # Lamps, Wattage	Voltage	Optional Lens	Optional Distribution	Optional Power End	Optional Latches	Optional Controls	Optional Lamps

Catalog Logic:

A. Series

VG = Vapor Guard

B. Length, # Lamps, Wattage

2-224 = 2', 2-lamp, 24 watt T5HO
 2-324 = 2', 3-lamp, 24 watt T5HO
 4-154 = 4', 1-lamp, 54 watt T5HO
 4-254 = 4', 2-lamp, 54 watt T5HO
 4-354 = 4', 3-lamp, 54 watt T5HO
 8-454 = 8', 4-lamp, 54 watt T5HO
 8-654 = 8', 6-lamp, 54 watt T5HO

C. Voltage

U = (120V-277V)
 UNB = (120V-277V) Non-Switching Battery Back-Up
 USB = (120V-277V) Switching Battery Back-Up

D. Optional Lens

All 4' and 8' fixtures come standard with a deep clear acrylic lens, or select from the options below:

RC = Ribbed Clear Acrylic

E. Optional Distribution

M = Mirror Reflector

F. Optional Power End

R3 = Mini-Receptacle, 3-wire, Male
 P6 = 6' Yellow Lead, 3-wire, 16 AWG
 R4 = Mini-Receptacle, 4-wire, Male
 4P6 = 6' Yellow Lead, 4-wire, 16 AWG

G. Optional Latches

All fixtures come standard with polycarbonate latches. Or select from the options below:

S = Stainless Steel Captive Latches

H. Optional Controls

MS = Wet Location Motion Sensor
 MSD = Dry Location Motion Sensor

I. Optional Lamps

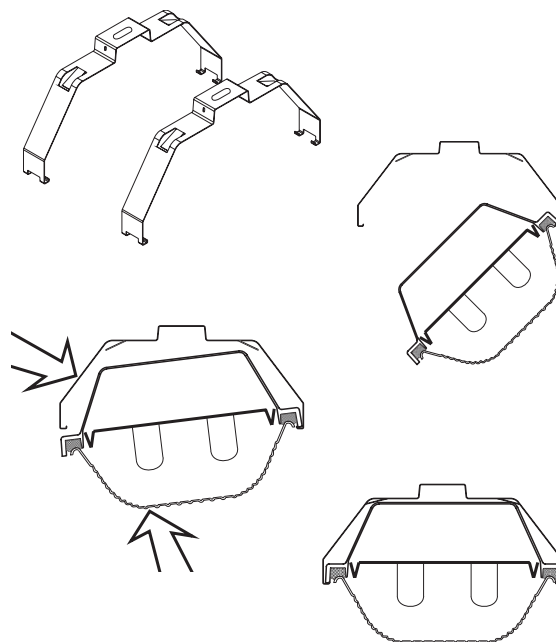
L41 = Non-Coated 4100K
 CL41 = Coated 4100K

Consult factory for all available options & configurations

Replacement Parts & Accessories

SF3-6	Mini-Connector, 3-wire, Female – 6'
SF4-6	Mini-Connector, 4-wire, Female – 6'
V-CL-4	Deep Clear Acrylic Lens – 4'
V-CL-8	Deep Clear Acrylic Lens – 8'
V-RL-2	Ribbed Clear Acrylic Lens – 2'
V-RL-4	Ribbed Clear Acrylic Lens – 4'
V-RL-8	Ribbed Clear Acrylic Lens – 8'
V-LP	Polycarbonate Latch 1 ea.
VG-PLK-4	Polycarbonate Latch Kit – 4'
VG-PLK-8	Polycarbonate Latch Kit – 8'
V-LS	Stainless Steel Captive Latch 1 ea.
VG-SLK-4	Stainless Steel Captive Latch Kit – 4'
VG-SLK-8	Stainless Steel Captive Latch Kit – 8'
V-MB2	Stainless Steel Mounting Bracket Kit
V-BAIL	Mounting Bushing (Bail) 1 ea.

Mounting Options



V-MB2
(Comes Standard)

