



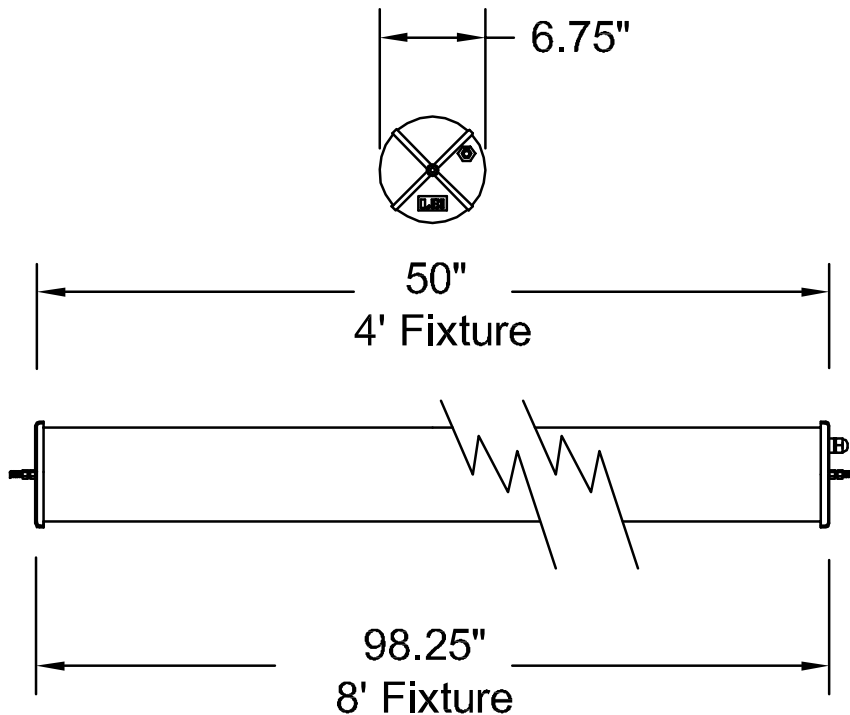
# SEAL LITE Series



## Description

The **SEAL LITE Series** is the premier fluorescent task lighting fixture for the food processing industry. The time tested and proven sealed tubular design is ETL listed for Wet Location and pressure tested to 1500 PSI. The **SEAL LITE Series** complies with USDA sanitation and ANSI/NSF2 splash zone requirements, making it the ideal fluorescent choice for all types of meat or prepared food processing plants. Other applications include carwashes, bottling and canning plants, pharmaceutical plants and any industrial application requiring exposure to heavy hose-down and caustic cleaning chemicals.

## Dimensions



Date	Catalog #
Type	Project
Prepared by	Comments

## Features and Specifications

### ENCLOSURE

High impact resistant, DR blended clear acrylic tube with smooth water shed design allows for quick and easy cleaning of food particles or contaminates. A water-resistant seal is formed by compressing the tube between two fully gasketed polycarbonate or optional stainless steel end caps. All external hardware is stainless steel.

### INTERIOR HOUSING

Corrosive and rust resistant, heavy duty extruded aluminum channel finished with highly reflective, FDA approved baked on white enamel. Channel is enclosed and covered by painted sheet aluminum and aluminum end plates. Mirror reflector optional. Proprietary lamp-holder bridge system, with stationary and spring-loaded lamp-holders, provides a hardy structure for the lamps, ideal for stabilization in harsh environment applications.

### ELECTRICAL

All fixtures are supplied with energy saving T5HO, Class P, Universal Voltage (120V-277V) ballasts. All fixtures include a factory installed 3-wire, yellow, six-foot, #16 AWG, STOW cable secured by a water-tight strain relief. Optional 3-wire male receptacle for quick disconnect is available.

### MOUNTING

Chain mounting kit with hooks and brackets standard. Optional fixed or band mounts available. All mounting hardware is stainless steel.

### CERTIFICATIONS

- ETL listed 1598 for wet location
- ETL Listed ANSI/NSF2
- High Pressure Tested to 1500 PSI

## Ordering Information

Example Catalog Number – S8-654P-U

<b>S</b>	<b>8-654P</b>	<b>U</b>					
<b>A</b>	<b>B</b>	<b>C</b>	<b>D</b>	<b>E</b>	<b>F</b>	<b>G</b>	<b>H</b>
Series	Length, # Lamps, Wattage	Voltage	Optional Distribution	Optional Power End	Optional End Caps	Optional Controls	Optional Lamps

### Catalog Logic:

#### A. Series

S = SEAL LITE

#### B. Length, # Lamps, Wattage

2-224P = 2', 2-lamp, 24 watt T5HO  
 3-324P = 2', 3-lamp, 24 watt T5HO  
 4-254P = 4', 2-lamp, 54 watt T5HO  
 4-354P = 4', 3-lamp, 54 watt T5HO  
 8-454P = 8', 4-lamp, 54 watt T5HO  
 8-654P = 8', 6-lamp, 54 watt T5HO

#### C. Voltage

U = (120V-277)  
 UNB = (120V-277V) Non-Switching  
 Battery Back-Up  
 USB = (120V-277V) Switching  
 Battery Back-Up

#### D. Optional Distribution

M = Mirror Reflector

#### E. Optional Power End

All fixtures come standard with 6' Yellow Lead, 3-wire, 16 AWG. Or select from the options below:

R3 = Mini-Receptacle, 3-wire, Male  
 R4 = Mini-Receptacle, 4-wire, Male  
 4P6 = 6' Yellow Lead, 4-wire

#### F. Optional End Caps

All fixtures come standard with White Xtreme Plastic End Caps. Or select from the options below:

S = Stainless Steel End Caps  
 SV2 = Stainless Steel Version 2 End Caps

#### G. Optional Controls

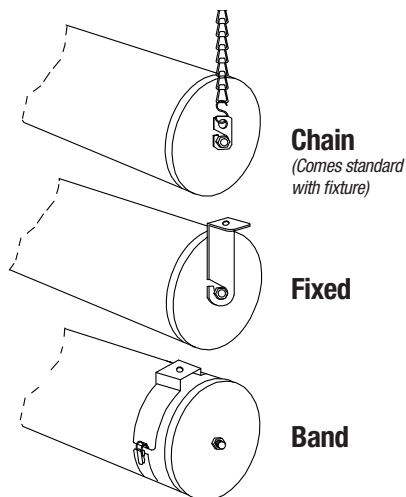
MS = Wet Location Motion Sensor  
 MSD = Dry Location Motion Sensor

#### H. Optional Lamps

L41 = Non-Coated 4100K  
 CL41 = Coated 4100K

Consult factory for all available options & configurations

## Mounting Options



**Chain**  
 (Comes standard  
 with fixture)

**Fixed**

**Band**

## Replacement Parts & Accessories

### Tubes

LCT-2 Clear Acrylic Tube – 2'  
 LCT-4 Clear Acrylic Tube – 4'  
 LCT-8 Clear Acrylic Tube – 8'

### Plastic End Caps

XEC X-treme End Cap, White, Non-Electrical (AC Only)  
 XEC-E X-treme End Cap, White, Electrical (AC Only)  
 XEC-EM X-treme End Cap, Red, Non-Electrical (Battery  
 Back-Up)  
 XEC-EME X-treme End Cap, Red, Electrical (Battery Back-Up)

### Stainless Steel Version 1 End Caps

HDS Stainless Steel Version 1 End Cap with O-Ring,  
 Non-Electrical (AC Only)  
 HDS-E Stainless Steel Version 1 End Cap with O-Ring,  
 Electrical (AC Only)  
 HDS-EM Stainless Steel Version 1 End Cap with O-Ring,  
 Non-Electrical (Battery Back-Up)  
 HDS-EME Stainless Steel Version 1 End Cap with O-Ring,  
 Electrical (Battery Back-Up)

### Stainless Steel Version 2 End Caps

ECS Stainless Steel Version 2 End Cap, Non-Electrical  
 (AC Only)  
 ECS-E Stainless Steel Version 2 End Cap, Electrical  
 (AC Only)  
 ECS-EM Stainless Steel Version 2 End Cap, Non-Electrical  
 (Battery Back-Up)  
 ECS-EME Stainless Steel Version 2 End Cap, Electrical  
 (Battery Back-Up)

### Gaskets

S-OR O-Ring Gasket for Plastic and Stainless Steel  
 Version 1 End Caps  
 S-SRG Round Gasket for Stainless Steel Version 2  
 End Caps  
 HW-113 Stainless Steel Bonded Washer

### Mounting Options

SCM-1 Stainless Steel 1' Chain Mounting Kit  
 SFM Stainless Steel Fixed Mounting Kit  
 SBM Stainless Steel Band Mounting Kit

### Quick Disconnect

R3 Mini-Receptacle, 3-Wire, Male  
 SF3-6 Mini-Connector, 3-Wire, Female - 6'

