



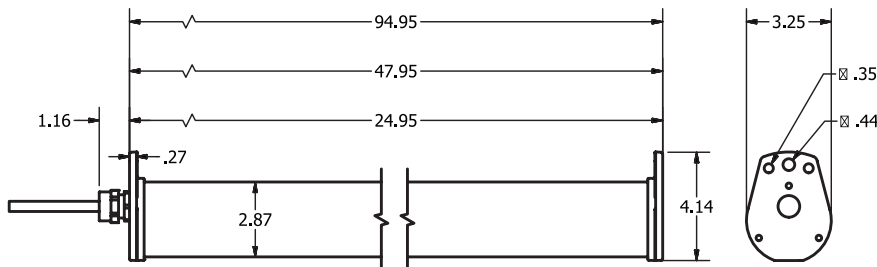
PIPE LITE Series



Description

The **PIPE LITE Series** is the first cost effective LED task lighting solution for the food processing industry. Engineered with the latest energy efficient LED technology and patent pending linear optic, the **PIPE LITE Series** is a durable and sustainable alternative to existing fluorescent task lighting products. The IP69K rated housing allows for easy clean-up while withstanding the rigors of daily sanitation. The tube-less design greatly reduces the total cost of ownership by eliminating the expense of replacement tubes and the associated maintenance costs. The **PIPE LITE Series** is ETL tested and certified to UL standards.

Dimensions



Warranty

- 5-year limited warranty on driver and LED boards.
- 3-year limited warranty on fixture enclosure.

(See LEI's PIPE LITE Warranty for complete details.)

Date	Catalog #
Type	Project
Prepared by	Comments

Features and Specifications

ENCLOSURE

Heavy duty, low profile housing extruded from 6063-T5 aluminum for superior thermal management with stainless steel end caps. Exterior is coated with a white, food grade, FDA approved, baked on powered epoxy using a multistage, pretreatment process assuring a strong and proper adhesion that meets food processing industry standards. Smooth, rounded, water-shed design allows for superior clean up during sanitation. Unique drip-edge cross section protects and channels water away from lens. The recessed lens is integrated into the housing to create a unitized enclosure. Fixture design allows for driver and LED replacement, extending the overall life of the fixture while reducing total cost of ownership. All exposed hardware is stainless steel.

OPTICS

Proprietary, high impact, extruded acrylic optic delivers precise, uniform and glare free task lighting. Linear design increases safety by reducing shadows and providing even light distribution along the task area. Patent pending.

ELECTRICAL

Thermally protected, universal voltage (120V-277V), IP rated driver. LED boards produce 4500K CCT with an 85 CRI, which meets the strict USDA requirements in inspection areas. Standard fixture supplied with six-foot, #16 AWG, 3-wire STOW yellow cable secured by a heavy duty, corrosion and water-resistant cord grip. Optional 3-wire male mini-receptacle available.

MOUNTING

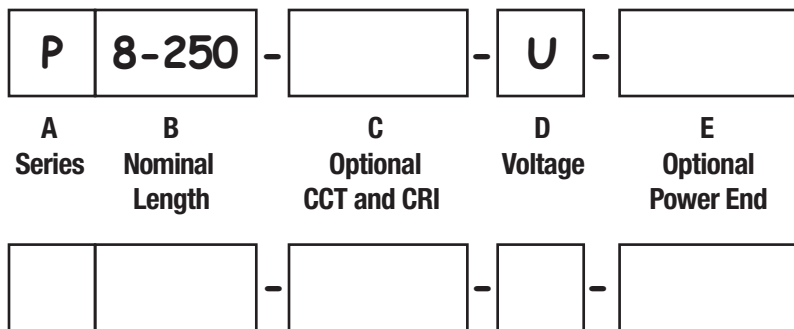
End cap design offers easy mounting with LEI's optional stainless steel, dual mounting kit or with any third party or user supplied mounting system.

CERTIFICATIONS

- ETL listed UL 1598 for Wet Location
- ETL listed UL 1598 for Battery Back-Up
- ETL listed ANSI/NSF 2 for Splash Zones
- ETL listed CSA Std. C22.2 No. 250.0
- IP69K rated

Ordering Information

Example Catalog Number – P8-250-U



Catalog Logic:

A. Series

P = PIPE LITE

B. Nominal Length

2-170 = 2'
 4-200 = 4' High Output
 4-140 = 4' Medium Output
 8-250 = 8'

C. Optional CCT and CRI

All fixtures come standard with 4500K, 85 CRI. Or select from the options below.

6590 = 6500K, 90 CRI

D. Voltage

U = (120V-277V)
 UNB = (120V-277V) Non-Switching Battery Back-Up
 USB = (120V-277V) Switching Battery Back-Up

E. Optional Power End

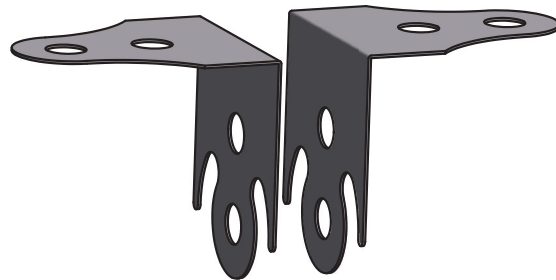
All fixtures come standard with 6' Yellow Lead, 3-wire, 16 AWG. Or select from the options below.

R3 = Mini-Receptacle, 3-wire, Male
 R4 = Mini-Receptacle, 4-wire, Male
 4P6 = 6' Yellow Lead, 4-wire, 16 AWG
 P20 = 20' Yellow Lead, 3-wire, 16 AWG

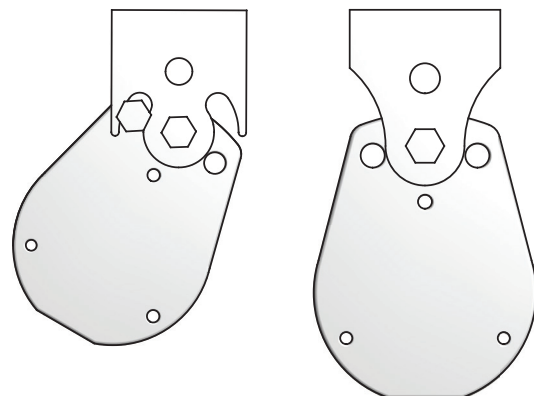
Replacement Parts & Accessories

SF3-6	Mini-Connector, 3-wire, Female – 6'
SF4-6	Mini-Connector, 4-wire, Female – 6'
PL-SDM	Stainless Steel Dual Mounting Kit
PSE KIT	Stainless Steel Non-Electrical End Cap Kit
PSE-E KIT	Stainless Steel Electrical End Cap Kit

Mounting Options



Stainless Steel Dual Mounting Kit



Performance Data

	Catalog Number	System Watts	CRI	CCT	Delivered fc * 4'
8'	P8-250-U	150	85	4500K	293
4'	P4-200-U	74	86		210
2'	P2-170-U	37	85		166

* Denotes approximate footcandles directly below fixture
 Numbers in italics are calculated using LED manufacturers' data.

Consult factory for all available options and configurations.

