



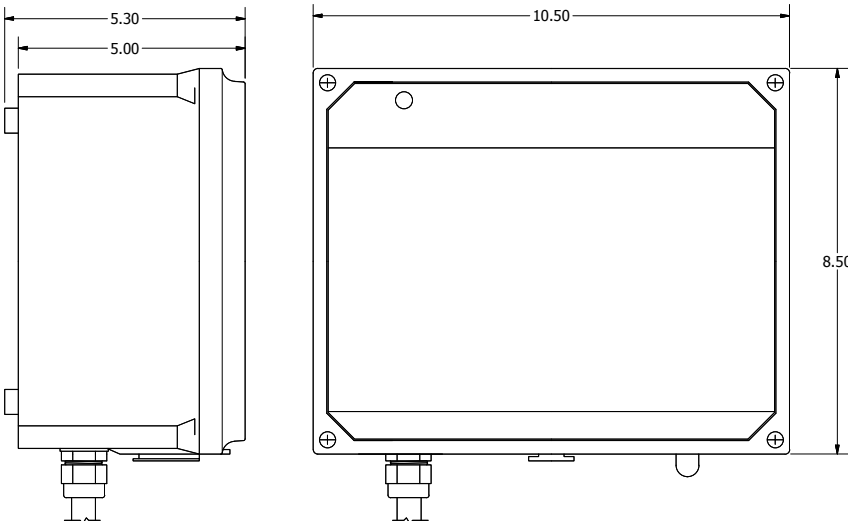
# EWP-LED Series



## Description

The **EWP-LED Series** is a rugged and compact emergency LED wall pack specifically engineered for heavy-hose-down and wet environments. It comes fully assembled, pre-wired and ready to install utilizing polycarbonate mounting feet, which allow for easy cleaning between the wall and the back of the fixture. If power is lost, the **EWP-LED Series** will automatically switch to emergency mode energizing the LEDs for a minimum of 90 minutes. Once power is restored, it will return to stand-by mode and recharge the maintenance-free, nickel cadmium battery. The **EWP-LED Series** is ideally suited for food processing plants and any other wet or corrosive applications.

## Dimensions



| Date        | Catalog # |
|-------------|-----------|
|             |           |
| Type        | Project   |
|             |           |
| Prepared by | Comments  |
|             |           |

## Features and Specifications

### ENCLOSURE

NEMA 4X polycarbonate, high impact housing is UV f1 rated with brass inserts for securing mounting brackets. The compact design allows for easy mounting in confined areas.

### LENS

High impact, clear, polycarbonate lens with continuous closed-cell gasket provides a positive seal against water and dust. Lens is held in place by four captive stainless steel screws.

### ELECTRICAL

Dual voltage, sealed, maintenance-free, LED driver is factory wired to customer specified voltage (120V or 277V). When AC power fails, the EWP-LED Series immediately switches to emergency mode energizing the LEDs for a minimum of 90 minutes. When AC power is restored, the fixture automatically returns to charging mode. (Front mounted charge light illuminates when in charging mode). The fixture ships complete with push-to-test switch, and 3' STO lead with water-tight cord grip.

## Ordering Information

Example Catalog Number – EWP-LED-EM-12

EWP-LED - EM - 12

**A**  
Series

**B**  
Operation

**C**  
Voltage

□ - □ - □

### Catalog Logic:

#### A. Series

EWP-LED = Emergency LED Wall Pack

#### B. Operation

EM = Emergency Only

AC = AC Only

#### C. Voltage

12 = 120V

27 = 277V

Consult factory for all available options & configurations

