

FLB-RS *Series*



- Exclusive Factory Installed ROUGH SERVICE Features
- Energy Saving Lamp & Ballast Configurations
- Universal Voltage (120V - 277V) Electronic Ballast
- Rugged 5VA Rated Non-Metallic Housing
- Poured-In-Place, Closed Cell Gasket
- Stainless Steel Latches
- Tool-Less Entry for Easy Installation & Maintenance
- ETL Listed UL 1598 for Wet Location
- ETL Listed CSA Std C22.2 No.250.0
- NSF Certified
- IP65, IP66, IP67 Certified
- High Pressure Tested to 1500 PSI

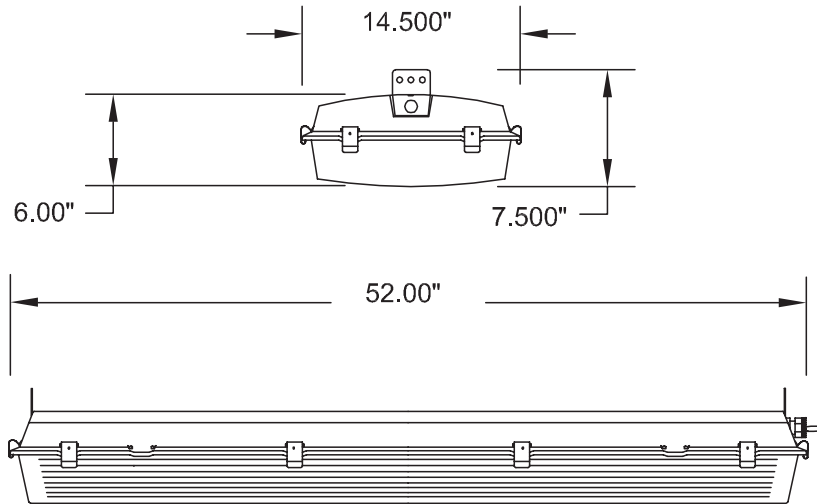


LIGHTING ETC.
INCORPORATED

Product Overview

The **FLB-RS (Fluorescent Low Bay - ROUGH SERVICE) Series** is designed for the harshest of hose-down and wet environments while being a responsible, energy efficient alternative to metal halide fixtures. The **FLB-RS Series** ships completely assembled with LEI's exclusive factory installed "ROUGH SERVICE" features making this tough luminaire the perfect choice for slaughterhouses, food processing facilities, breweries and any institutional or industrial, extreme wet or hose-down environment.

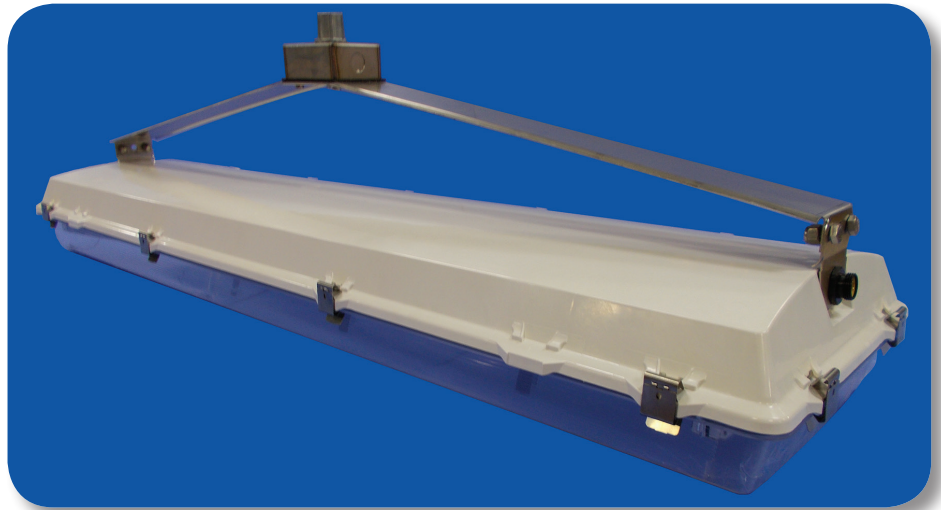
Dimensions



Mounting Options



RS-SFM



RS-SPH



LIGHTING ETC.
INCORPORATED