



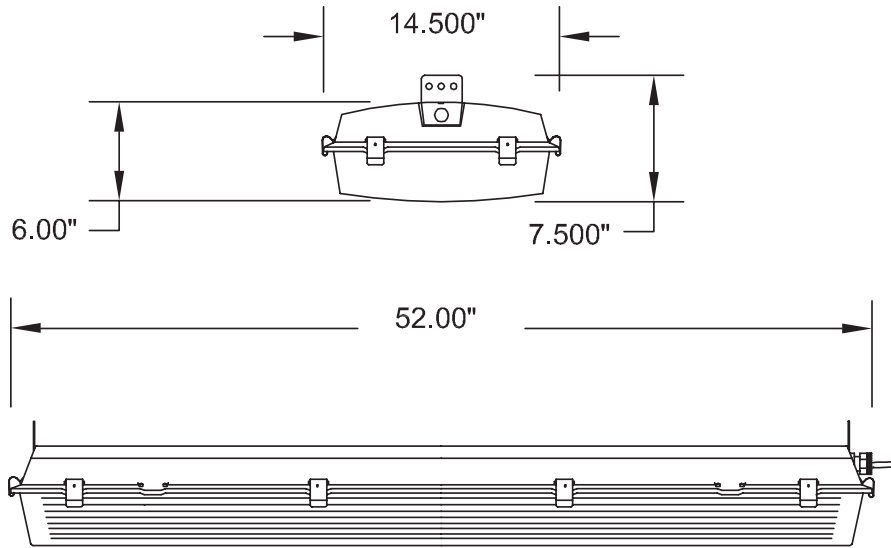
NML-RS Series



Description

The **NML-RS (Non-Metallic LED – Rough Service) Series** is a LED solution designed to reduce energy without sacrificing lumen output. It can be configured with a 16L, 24L, 26L, 32L or 40L lumen package to meet most general lighting requirements. Completely assembled and ready to install out-of-the-box, the **NML-RS Series** utilizes state-of-the-art LEDs in conjunction with a chemical and impact resistant **FROSTED** lens to provide a **GLARE FREE** work environment similar to fluorescent products.

Dimensions



Warranty

- 5-year limited warranty. (See LEI's LED Warranty for complete details.)

Date	Catalog #
Type	Project
Prepared by	Comments

Features and Specifications

EXCLUSIVE "RS" (ROUGH SERVICE) FEATURES

- Stainless steel center mounting brackets
- Factory installed 3-wire, yellow, six-foot, #16 AWG, STOW cable secured by a proprietary, stainless steel, potted strain relief
- Optional 3 or 4 wire male receptacle for quick disconnect
- Optional stainless steel fixed mounts
- Optional stainless steel single point hanger
- All "RS" fixtures ship completely assembled and ready to install out-of-box

ENCLOSURE

Fiberglass reinforced polyester housing is UL 5VA flammability rated. Rounded edges and water shed design allow for quick and easy clean up during high pressure hose down. Poured-in-place continuous closed cell gasket provides a seamless seal for lens.

LENS

Impact resistant, UV stabilized, frosted acrylic lens held tightly in place by twelve stainless steel captive latches to assure a positive seal and lens retention. Optional clear acrylic and polycarbonate lenses available.

GEAR TRAY

Secured in place by four internal stainless steel clips, the painted 22 gauge metal gear tray can be opened from either side for quick and easy maintenance.

ELECTRICAL

Universal voltage (120V-277V) driver, optional 480V available. Fixtures supplied with Nichia LEDs, 4000K or 5000K, greater than 80 CRI on LEI boards. Three lumen packages available. Dimming available (0-10V)

MOUNTING

Stainless steel center mounting brackets allow for easy installation and maintenance. Brackets allow for mounting with optional stainless steel fixed mounts, stainless steel single point hanger, or stainless steel cable mounting systems.

CERTIFICATIONS

- DLC listed
- ETL listed UL 1598 for Wet Location
- ETL listed UL 1598 for Battery Back-Up
- ETL listed CSA Std C22.2 No. 250.0
- NSF Certified
- IP65, IP66, and IP67 rated
- NEMA 4X rated

Ordering Information

Example Catalog Number – NML-RS-24L-4K-U-F

NML-RS	24L	4K	U	F		
A	B	C	D	E	F	G
Series	Lumen Package	CCT	Voltage	Lens	Optional Controls	Optional Power End

Catalog Logic:

A. Series

NML-RS = Non-Metallic LED Rough SERVICE

B. Lumen Package

16L-2R = 16,000 2-Row
 24L = 24,000
 24L-2R = 24,000 2-Row
 26L = 26,000
 32L-3R = 32,000 3-Row
 40L-4R = 40,000 4-Row

C. CCT

4K = 4000K, 80 CRI
 5K = 5000K, 80 CRI

D. Voltage

U = (120V-277V)
 48 = 480V
 UNB = (120V-277V) Non-Switching Battery Back-Up
 USB = (120V-277V) Switching Battery Back-Up
 48NB = 480V Non-Switching Battery Back-Up
 48SB = 480V Switching Battery Back-Up

Performance Data

Lumen Package	Lens (Acrylic)	CCT	Actual Lumens	System Watts	Lumens per Watt	CRI
16L-2R	Frosted	4000K	16,028	103	156	84
		5000K	16,335	103	159	83
	Clear	4000K	16,509	103	160	83
		5000K	16,825	103	163	82
24L-2R	Frosted	4000K	23,580	160	147	84
		5000K	24,870	158	157	83
	Clear	4000K	24,287	160	152	83
		5000K	25,616	158	162	82
24L	Frosted	4000K	24,515	179	137	82
		5000K	25,005	174	144	84
	Clear	4000K	25,250	179	141	81
		5000K	25,755	174	148	83
26L	Frosted	4000K	25,894	190	136	82
		5000K	26,069	185	141	82
	Clear	4000K	26,210	190	138	82
		5000K	26,387	182	145	82
32L-3R	Frosted	4000K	32,219	218	148	82
		5000K	32,437	216	150	82
	Clear	4000K	32,863	218	151	82
		5000K	33,085	216	153	82
40L-4R	Frosted	4000K	42,700	286	148	82
		5000K	42,988	287	150	82
	Clear	4000K	43,554	287	152	82
		5000K	43,848	287	153	82

Numbers in italics are calculated using LED manufacturers' data.

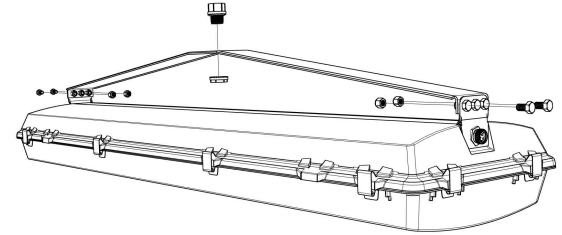
Consult factory for all available options & configurations.
 Not all configurations of this fixture may be DLC qualified. Please consult the DLC Qualified Products list @ www.designlights.org to see if the version in which you are interested is listed.

LEI • (281) 992-8308 • FAX: (281) 996-0488 • sales@lighting-etc.com • www.lighting-etc.com • PO Box 3403 • Pearland, TX 77588

Replacement Parts & Accessories

F-LNAF	Frosted Acrylic Lens
F-LNA	Clear Acrylic Lens
F-SSL	Stainless Steel Captive Latch
SF3-6	Mini-Connector, 3-wire, Female – 6'
SF4-6	Mini-Connector, 4-wire, Female – 6'
RS-SFM	Stainless Steel Fixed Mounting Kit
RS-SPH	Stainless Steel Single Point Hanger
GSS-10	Stainless Steel 10' Gripple Cable Mounting Kit with Hooks

Mounting Options



Optional
Stainless Steel Single Point
Hanger (RS-SPH)



Optional
Stainless Steel Fixed
Mount Kit (RS-SFM)



Optional
Stainless Steel
Gripple Cable
Mounting Kit with
Hooks (GSS-10)



Optional
End Mount Kit (EMK)

Operating characteristics

(120V-277V) = -20°C to 50°C
 480V = -20°C to 45°C
 Battery Back-Up = 0°C to 40°C

(120V-277V) = -4F to 122 F
 (480V) = -4F to 113 F
 Battery Back-up = 32F to 104 F

Cold Temp applications

Utilize "FZ" to get Polycarbonate lens and "night light" option"
 (120V-277V) = -40C to 50C
 (120V-277V) = -40F to 122F
 Battery Back-up = -40F to 122F only with "FZ" option.

