

NML-RS™



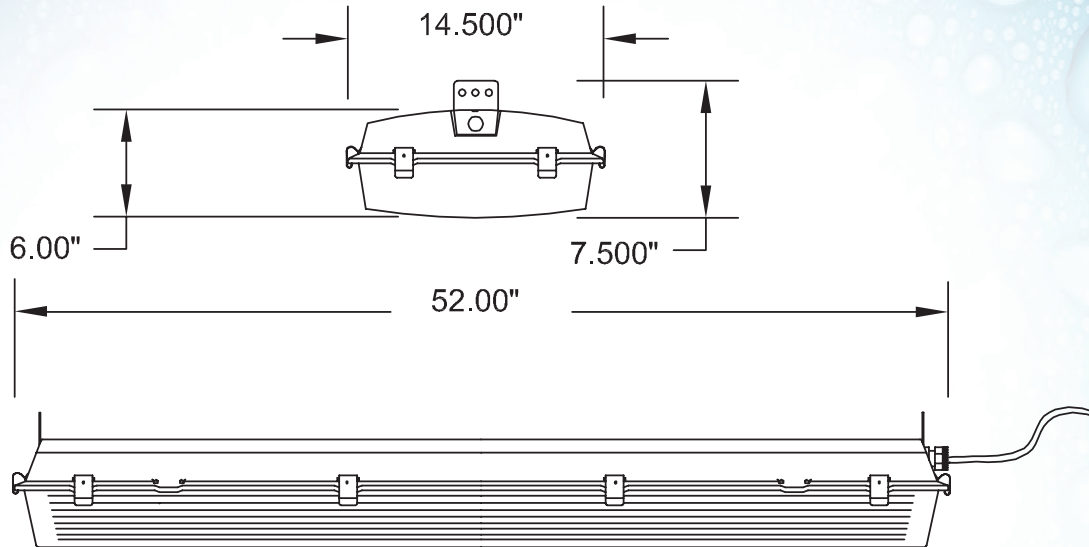
- Exclusive Factory Installed ROUGH SERVICE Features
- Energy Efficient LEDs on LEI Boards
- Three Lumen Packages
- Universal Voltage (120V-277V) Drivers
- Rugged 5VA Rated Non-Metallic Housing
- Poured In-Place, Closed Cell Gasket
- Stainless Steel Latches
- Tool-Less Entry for Easy Installation & Maintenance
- DLC Listed
- ETL Listed UL 1598 for Wet Locations
- ETL Listed UL 1598 for Battery Back-up
- ETL Listed CSA Std C22.2 No. 250.0
- NSF Certified
- IP65, IP66, IP67 Rated
- NEMA 4X Rated
- High Pressure Tested at 1500 PSI



PRODUCT OVERVIEW

The **NML-RS (Non-Metallic LED – Rough Service) Series** is a LED solution, specifically designed for heavy hose-down applications to significantly reduce energy usage without sacrificing lumen output. The **NML-RS Series** ships completely assembled and ready to install out of the box. Custom configurations and options are available to meet all of your general lighting needs. The **NML-RS Series** is a perfect choice for any extreme wet or hose-down institutional or industrial environment.

DIMENSIONS



MOUNTING OPTIONS



RS-SFM



LIGHTING ETC.
INCORPORATED

LEI • (281) 992-8308 • FAX: (281) 996-0488 • sales@lighting-etc.com
www.lighting-etc.com • PO Box 3403 • Pearland, TX 77588