



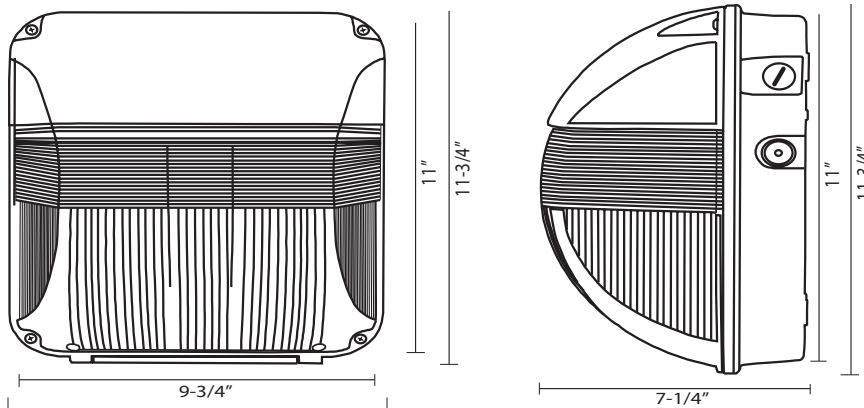
# LWP Series



## Description

The **LWP Series** is an energy saving LED replacement for HID wall packs. The sleek, modern design is suitable for most indoor damp and wet areas. Die cast aluminum housing has 1/2" NPS tapped on both sides and on the back for easy installation of conduit or photo-control. Applications include freezers, food processing areas, and other refrigerated damp and wet locations.

## Dimensions



Date	Catalog #
Type	Project
Prepared by	Comments

## Features and Specifications

### ENCLOSURE

Heavy duty die cast aluminum with cast in drilling template for easy mounting to junction box. Housing has (3) 1/2" NPS entry points: one on each side and one on the back. Bronze finish is a durable polyester powder coating applied after a multi-stage, pre-treatment process. Housing and door are sealed with a high temperature silicone gasket.

### LENS

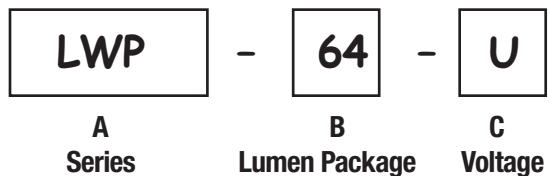
Injection molded, clear, ribbed, polycarbonate diffuser with UV inhibitors.

### ELECTRICAL

Universal voltage (120V-277V) driver with 6,400 lumen LED light engine. LEDs produce 4000K CCT light with 80 CRI and are rated for over 50,000 hours.

## Ordering Information

Example Catalog Number – LWP-64-U



### Catalog Logic:

#### A. Series

LWP = LED Wall Pack

#### B. Lumen Package

64 = 6,400 Lumen Package

#### C. Voltage

U = Universal Voltage 120V – 277V

UNB = (120V-277V) Non-Switching Battery Back-Up

USB = (120V-277V) Switching Battery Back-Up

48 = 480V

#### D. Options\*

EPH= Photocell - External Photocell - Installed

MOS = Microwave Occupancy Sensor

\*Unit compatible with either EPH or MOS option

Consult factory for all available options & configurations.

