

LWP Series



- Heavy Duty Bronze Aluminum Housing
- Easy Access Hinged Door
- ½" NPS Tapped Back and Sides
- Clear Prismatic Polycarbonate Lens
- High Temperature Gasket
- 50,000 Hour IP67 LED Driver
- Energy Saving LED Design

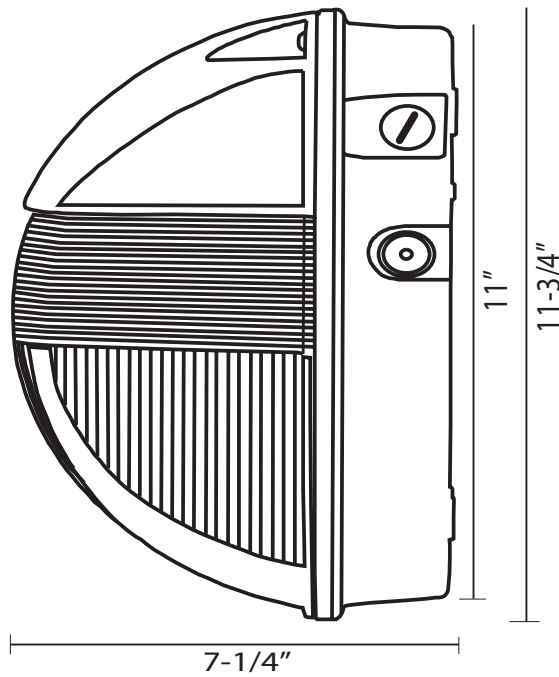
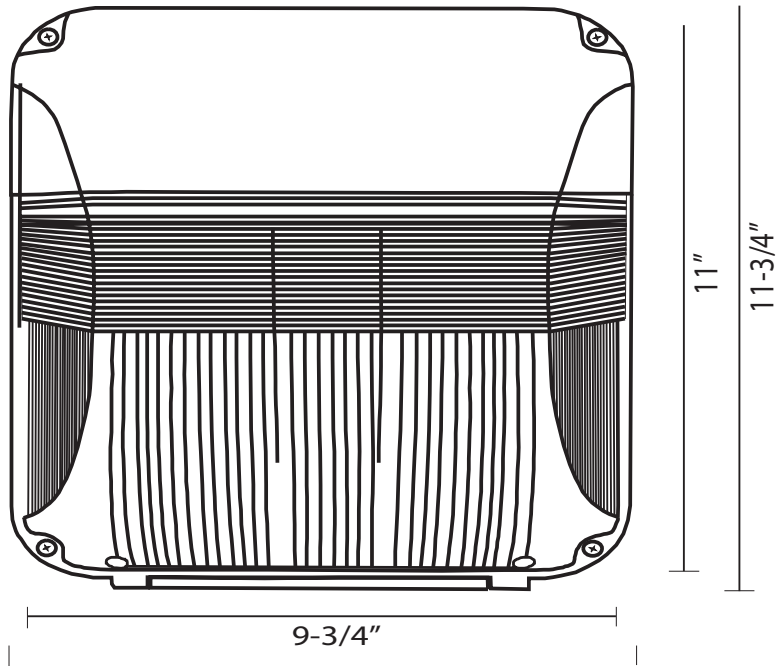


LIGHTING ETC.
INCORPORATED

Product Overview

The **LWP Series** is an energy saving LED replacement for HID wall packs. The sleek, modern design is suitable for most indoor damp and wet areas. The IP67 driver and LEDs are rated for over 50,000 hours. Die cast aluminum housing has ½" NPS tapped on both sides and on the back for easy installation of conduit or photo-control. Applications include freezers, food processing areas, and other refrigerated damp and wet locations.

Dimensions



Consult factory for all available options & configurations



LIGHTING ETC.
INCORPORATED