



# LDM Series

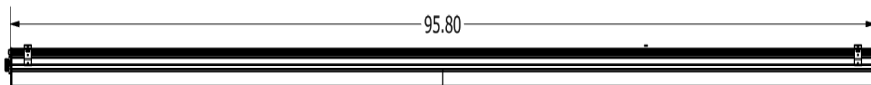
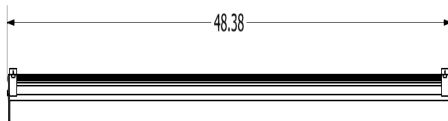
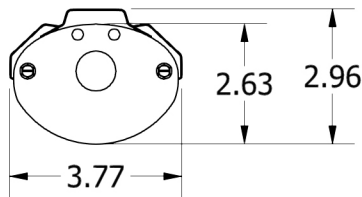
Date	Catalog #
Type	Project
Prepared by	Comments



## Description

The **LDM (Linear Dry Mount) Series** is a LED solution for general down lighting or aisle lighting applications. It is designed to reduce energy without sacrificing lumen output. It can be configured with a 20K, 10K, 5K or a 3K lumen package to meet your lighting requirements. The **LDM Series** utilizes proven LED technology in conjunction with a chemical and impact resistant **FROSTED** lens to provide a **GLARE FREE** work environment, similar to fluorescent products.

## Dimensions



## Warranty

- 5-year limited warranty. (See LEI's LED Warranty for complete details.)

## Features and Specifications

### ENCLOSURE

Extruded aluminum housing engineered for maximum heat sink temperature dissipation in a low-profile footprint, enclosed by two aluminum end caps. Proprietary modern design allows for multiple mounting configurations.

### LENS

Impact resistant, UV stabilized, acrylic, snap-in, frosted lens.

### GEAR TRAY

Aluminum gear tray designed for easy service access to both the LED drivers and modules.

### ELECTRICAL

Universal voltage (120V-277V) LED driver. Fixtures supplied with 5000K greater than 80 CRI LEDs on LED boards. Optional yellow STOW cord, or quick disconnect available.

### MOUNTING

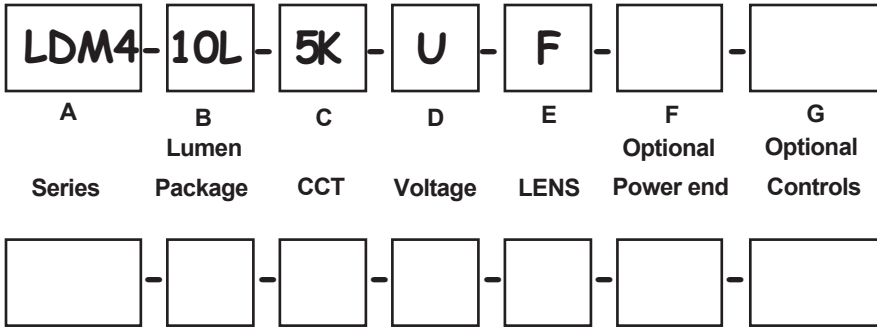
Stainless steel spring clip mounting brackets, for ceiling mount or Gripple "Angel" mount, standard. Optional stain-less steel "Slide Loop" and "Adjustable" fixed mounting kits available.

### CERTIFICATIONS

- DLC listed
- ETL listed UL 1598
- ETL listed UL 1598 for Battery Back-Up

## Ordering Information

### Example Catalog Number – LDM4-10L-5K-U-F



#### Catalog Logic:

##### A. Series

**LDM4** = Linear Dry Mount (4 foot)

**LDM8** = Linear Dry Mount (8 foot)

##### B. Lumen Package

20L = 20,000 (LDM8)

10L = 10,000 (LDM4)

5L = 5,000 (LDM4)

3L = 3,000 (LDM4)

##### C. CCT

5K = 5000K, 80 CRI

##### D. Voltage

U = (120V-277V)

48 = 480V

UNB = (120V-277V) Non-Switching Battery Back-Up

USB = (120V-277V) Switching Battery Back-Up

##### E. Lens

F = Frosted Acrylic

##### F. Optional Power End

R3 = Mini-Receptacle, 3-wire, Male

P6 = 6' Yellow Lead, 3-wire, 16 AWG

R4 = Mini-Receptacle, 4-wire, Male

4P6 = 6' Yellow Lead, 4-wire, 16 AWG

##### G. Optional Controls

MSD = Dry Location Motion Sensor

DMS = Dimming Motion Sensor- Dry (0-10V)

#### Performance Data

Lumen Package	Lens	CCT	Actual Lumens	System Watts	Lumens per Watt	CRI
20L	Frosted	5000K	20,050	151	133	84
10L			9,718	73	132	84
5L			4,987	37	135	85
3L			3,937	34	117	82

*Numbers in italics are calculated using LED manufacturers' data.*

Consult factory for all available options & configurations.

Not all configurations of this fixture may be DLC qualified. Please consult the DLC Qualified Products list @ [www.designlights.org](http://www.designlights.org) to see if the version in which you are interested is listed.

## Replacement Parts & Accessories

LD-LF	Frosted Acrylic Lens
LD-EC	Aluminum End Cap
SF3-6	Mini-Connector, 3-wire, Female – 6'
SF4-6	Mini-Connector, 4-wire, Female – 6' Stainless
LD-AFK	Steel Adjustable/Fixed Mounting Kit Stainless
LD-SLK	Steel Slide Lock Mounting Kit
LD-GAK-10	Stainless Steel 10' Gripple Angel Mounting Kit
LD-GAK-5	Stainless Steel 5' Gripple Angel Mounting Kit
LD-GAK-3	Stainless Steel 3' Gripple Angel Mounting Kit
LD-MBK	Stainless Steel Spring Clip Mounting Bracket

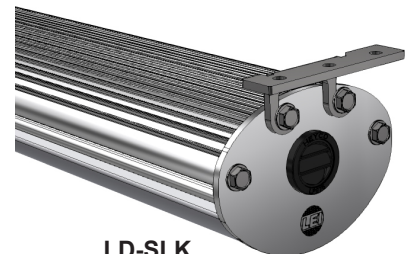
## Mounting Options



**LD-MBK**  
(Included - Standard)



**LD-AFK**



**LD-SLK**



**LD-GAK**  
(Length to be specified)

