



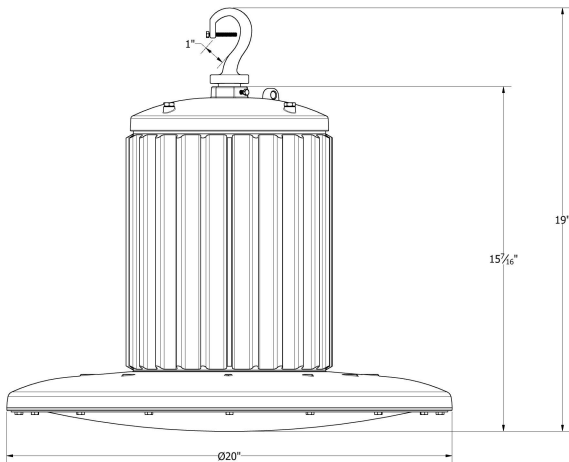
# NXGEN Series



## Description

The **NXGEN Series** is an energy efficient, sustainable LED alternative to 400-watt metal halide fixtures. The smooth, heavy duty, **IP69K** rated housing allows for quick and easy clean-up while withstanding daily exposure to harsh chemicals and high-pressure wash-down. The easy-to-maintain design allows quick access to drivers and LED boards, which extends operational life and enhances the total cost of ownership. To address worker safety, the **NXGEN Series** utilizes a Domed, **FROSTED** lens to provide a less stressful, **GLARE-FREE** work environment. The top cap is designed to allow for the attachment of an optional stainless steel **Safety Cable**. And lastly, the **NXGEN Series** is the first industrial grade LED to offer an optional **ETL LISTED, FACTORY INSTALLED, INTERNAL BATTERY BACK-UP** that delivers 90 minutes of egress lighting. ETL tested and certified to UL standards, the **NXGEN Series** is the optimal general lighting solution for food processors, the beverage industry and any other harsh or wet environments.

## Dimensions



- NOTES:**
1. Dimensions shown are in inches.
  2. All dimensions are approximate.
  3. LEI reserves the right to change the design at any time without notice.

## Warranty

- 5-year limited warranty. (See LEI's LED Warranty for complete details.)

Date	Catalog #
Type	Project
Prepared by	Comments

## Features and Specifications

### ENCLOSURE

Highly engineered, three-piece aluminum housing was designed for superior thermal management. Exterior is protected by an industry proven, white, FDA approved coating. The smooth, water-shed design allows for superior clean up during sanitation. The **NXGEN Series** has **NO EXPOSED HEAT SINKS, FINS OR OPENINGS THAT CAN HARBOR OR COLLECT CONTAMINANTS AND BACTERIA.** Heavy duty, custom fabricated, proprietary gaskets provide an enhanced seal which facilitates the robust IP69K rating. All external hardware is stainless steel.

### LENS

Frosted, low profile, chemical resistant, acrylic lens provides uniform lighting distribution and reduces glare. Lens is sealed in place by a proprietary stainless steel ring and stainless steel captive screws.

### ELECTRICAL

Universal voltage (120V-277V) drivers standard. Optional 0-10V dimming, 480V, battery back-up, and motion sensor configurations are available. **NOTE: Fixtures ordered with optional battery back-up will have a RED top cap for easy identification.** Proprietary, custom designed metal clad boards populated with Nichia, greater than 80 CRI LEDs in 4000K or 5000K CCT. Standard fixture supplied with 3-wire, yellow, six-foot, # 16 AWG, STOW cable secured by a proprietary, stainless steel, potted strain relief. An optional quick disconnect is also available.

### MOUNTING

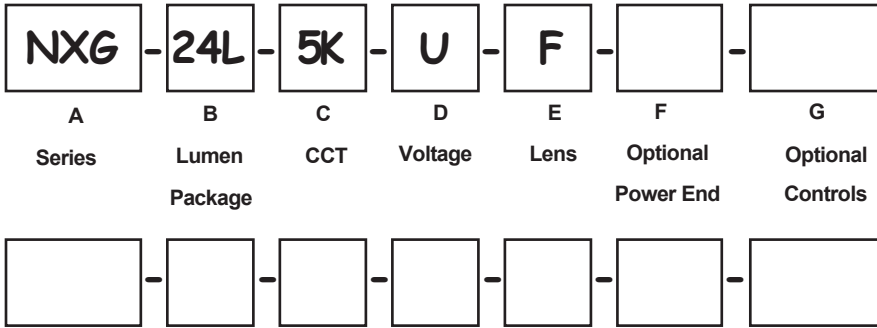
Threaded, 3/4" hub allows for pendant mounting or use of LEI's proprietary, forged stainless steel mounting hook. Mounting hook comes standard with all units. Optional stainless steel safety cable available.

### CERTIFICATIONS

- DLC listed
- ETL listed UL 1598 for Wet Location
- ETL listed UL 1598 for Battery Back-up
- ETL listed CSA Std. C22.2 No. 250.0
- ETL listed ANSI/NSF 2 for Splash Zones
- IP69K rated

## Ordering Information

### Example Catalog Number – NXG-24L-5K-U-F



#### Catalog Logic:

##### A. Series

NXG = NXGEN

##### B. Lumen Package

16L = 16,000  
 24L = 24,000  
 28L = 28,000  
 32L = 32,000  
 36L = 36,000

##### C. CCT

4K = 4000K, 80 CRI  
 5K = 5000K, 80 CRI

##### D. Voltage

U = (120V-277V)  
 48 = 480V  
 UNB = (120V-277V) Non-Switching Battery Back-Up  
 UNB18 = 32L & 36L Models-18w - (120V-277V) Non-switching Battery Back-up.  
 USB = (120V-277V) Switching Battery Back-Up  
 USB18 = 32L & 36L Models-18w - (120V-277V) Switching Battery Back-up.  
 USB2 = (120V-277V) Switching TWIN Battery Back-Up (one for each board circuit)  
 48NB = 480V Non-Switching Battery Back-Up  
 48SB = 480V Switching Battery Back-Up

##### E. Lens

F = Frosted Acrylic  
 P = Polycarbonate

##### F. Optional Power End

All fixtures come standard with 6' Yellow Lead, 3-wire, 16 AWG. Or select from the options below.

R3 = Mini-Receptacle, 3-wire, Male  
 R4 = Mini-Receptacle, 4-wire, Male  
 4P6 = 6' Yellow Lead, 4-wire, 16 AWG

##### G. Optional Controls

MOS = Microwave Occupancy Sensor  
 DMS = Dimming Occupancy Sensor

## Performance Data

Lumen Package	Lens	CCT	Actual Lumens	System Watts	Lumens per Watt	CRI
<b>16L</b>	<b>Frosted</b>	<b>4000K</b>	<b>15,930</b>	<b>103</b>	<b>154</b>	<b>83</b>
16L	Frosted	5000K	16,089	103	156	83
20L	Frosted	4000K	20,366	136	150	83
20L	Frosted	5000K	20,041	132	152	83
<b>24L</b>	<b>Frosted</b>	<b>4000K</b>	<b>24,440</b>	<b>156</b>	<b>156</b>	<b>83</b>
<b>24L</b>	<b>Frosted</b>	<b>5000K</b>	<b>24,050</b>	<b>156</b>	<b>154</b>	<b>84</b>
<b>28L</b>	<b>Frosted</b>	<b>4000K</b>	<b>27,860</b>	<b>182</b>	<b>150</b>	<b>83</b>
<b>28L</b>	<b>Frosted</b>	<b>5000K</b>	<b>28,500</b>	<b>182</b>	<b>153</b>	<b>83</b>
<b>32L</b>	<b>Frosted</b>	<b>4000K</b>	<b>31,800</b>	<b>209</b>	<b>152</b>	<b>82</b>
32L	Frosted	5000K	32,571	213	154	83
<b>36L</b>	<b>Frosted</b>	<b>4000K</b>	<b>37,470</b>	<b>242</b>	<b>154</b>	<b>83</b>
36L	Frosted	5000K	37,224	241	154	83

PERFORMANCE DATA ABOVE: VALUES THAT ARE **NOT BOLD** ARE CALCULATED

#### OPERATING RANGE:

(120V-277V) = -20°C to 50°C  
 480V = -20°C to 45°C  
 Battery Back-Up = 0°C to 40°C

## Replacement Parts & Accessories

SF3-6	Mini-Connector, 3-wire, Female – 6'
SF4-6	Mini-Connector, 4-wire, Female – 6'
SC5	Stainless Steel Safety Cable – 5'
SC10	Stainless Steel Safety Cable – 10'
NXG-HK	Stainless Steel Mounting Hook
NXG-FDLKIT	Frosted Acrylic Lens Kit
NXG-FLFA	Frosted Acrylic Lens Frame Assembly
LB-HGAS	Housing Gasket
LB-LGAS	Lens Gasket

## Mounting Options



NXG-HK (Supplied Standard)



Optional Safety Cable  
(Shown with NXG-HK mounting hook)



(Shown with Battery back-up red top and hook)

Consult factory for all available options & configurations.

Not all configurations of this fixture may be DLC qualified. Please consult the DLC Qualified Products list @ [www.designlights.org](http://www.designlights.org) to see if the version in which you are interested is listed.

